

SCP-2370RH

High Resolution 37x Weatherproof
IR PTZ Dome Camera

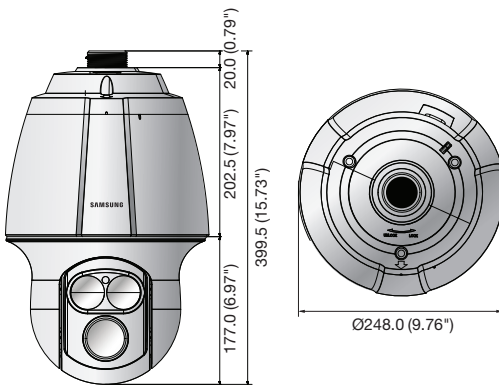


Key Features

- High resolution of 600TV lines (Color), 700TV lines (B/W)
- Min. illumination 0Lux (IR LED on), IR distance 100m
- Powerful 37x zoom (3.5 ~ 129.5mm), Digital 16x
- True Day & Night (ICR), MD, SSSNR III
- IP66, IK10, Coax : Pelco-C (Coaxitron), RS-485/422, 24V AC

Dimensions

Unit : mm (inch)



Accessories (Optional)



SBP-300WM1 SBP-300WM SBP-300CM SBP-300LM SBP-300B SBP-300PM SBP-300KM

| | SCP-2370RHN | SCP-2370RHP |
|----------------------------------|---|---|
| VIDEO | | |
| Imaging Device | 1/4" Super HAD CCD II | |
| Total Pixels | 811(H) x 508(V) | 795(H) x 596(V) |
| Effective Pixels | 768(H) x 494(V) | 752(H) x 582(V) |
| Scanning System | 2 : 1 Interlace | |
| Synchronization | Internal / Line lock | |
| Frequency | H : 15.734KHz / V : 59.94Hz | H : 15.625KHz / V : 50Hz |
| Horizontal Resolution | Color : 600TV lines, B/W : 700TV lines | |
| Min. Illumination | Color : 0.2Lux@F1.6 (50IRE), 0.0004Lux (Sens-up, 512x) B/W : 0Lux (IR LED on) | |
| S / N Ratio | 52dB (AGC off, Weight on) | |
| Video Output | CVBS : 1.0Vpp / 75Ω composite | |
| LENS | | |
| Focal Length (Zoom Ratio) | 3.5 ~ 129.5mm (Optical 37x) | |
| Max. Aperture Ratio | 1 : 1.6(Wide) ~ 3.9(Tele) | |
| Angular Field of View | H : 55.5°(Wide) ~ 1.59°(Tele) / V : 42.5°(Wide) ~ 1.19°(Tele) | |
| Min. Object Distance | 1.5m (4.92ft) | |
| Focus Control | Auto / Manual / One shot | |
| Zoom Movement Speed | 2.8sec (Wide to tele) | |
| PAN / TILT | | |
| Pan Range | 360° Endless | |
| Pan Speed | Preset : 250°/sec, Manual : 0.024°/sec ~ 120°/sec (Proportional zoom ratio) | |
| Tilt Range | -5° ~ 185° | |
| Tilt Speed | Preset : 250°/sec, Manual : 0.024°/sec ~ 120°/sec (Proportional zoom ratio) | |
| Preset | 255 | |
| Preset Accuracy | ±0.1° | |
| OPERATIONAL | | |
| On Screen Display | English, Japanese, Spanish, French, Portuguese, Taiwanese, Korean | English, French, German, Spanish, Italian, Chinese, Russian, Polish, Czech, Turkish, Portuguese |
| Camera Title | Off / On (Displayed 12 characters) | |
| Day & Night | Auto (ICR) / External / Color / B/W | |
| Backlight Compensation | Off / BLC / HLC | |
| Contrast Enhancement | SSDR (Off / On) | |
| Digital Noise Reduction | SSNR III (Off / On) | |
| Digital Image Stabilization | Off / On | |
| Motion Detection | Off / On | |
| Privacy Masking | Off / On (8 programmable zones) | |
| Sens-up (Frame Integration) | 2x ~ 512x | |
| Gain Control | Off / Low / High | |
| White Balance | ATW / Outdoor / Indoor / Manual / AWC (1,700°K ~ 11,000°K) | |
| Electronic Shutter Speed | 1/60 ~ 1/120,000sec | 1/50 ~ 1/120,000sec |
| Digital Zoom | Off / On (1x ~ 16x) | |
| Digital Flip | Off / On | |
| Schedule | Day / Time | |
| Alarm | 8 In 3 Out | |
| Communication | Coaxial control (SPC-300 compatible), RS-485/422 | |
| Protocol | Coax : Pelco-C (Coaxitron) RS-485/422 : Samsung-T/E, Pelco-D/P, Panasonic, Bosch, Honeywell, Vicon, AD, GE | |
| IR Distance | 100m (328.08ft) (IR LED 2ea) | |
| ENVIRONMENTAL | | |
| Operating Temperature / Humidity | -50°C ~ +55°C (-58°F ~ +131°F) / Less than 100% RH | |
| Ingress Protection | IP66 | |
| Vandal Resistance | IK10 | |
| ELECTRICAL | | |
| Input Voltage / Current | 24V AC ±10% | |
| Power Consumption | Max. 15W / 90W (Fan & heater on) | |
| MECHANICAL | | |
| Color / Material | Ivory / Aluminum | |
| Dimensions (WxH) | Ø248.0 x 399.5mm (Ø9.76" x 15.73") | |
| Weight | 6Kg (13.23 lb) | |

* The latest product information / specification can be found at www.samsungsecurity.com