

# SCO-2080R

High Resolution Weatherproof IR Camera

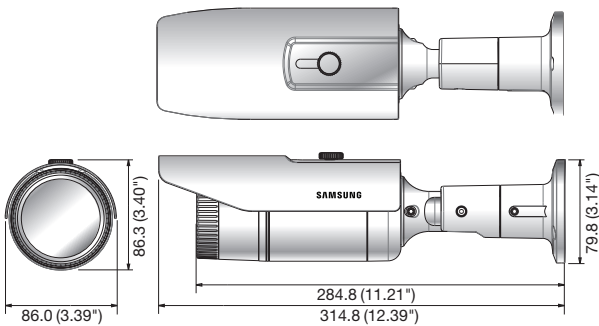


## Key Features

- High resolution of 600TV lines (Color), 700TV lines (B/W)
- Min. illumination 0Lux (IR LED on), IR distance 50m
- 3.6x varifocal lens (2.8 ~ 10mm)
- True Day & Night (ICR), MD, SSSNRIII
- IP66, Coax : Pelco-C (Coaxitron), RS-485, Dual power

## Dimensions

Unit : mm (inch)



	SCO-2080RN	SCO-2080RP
<b>VIDEO</b>		
Imaging Device	1/3" Super HAD CCD II	
Total Pixels	811(H) x 508(V)	795(H) x 596(V)
Effective Pixels	768(H) x 494(V)	752(H) x 582(V)
Scanning System	2 : 1 Interlace	
Synchronization	Internal / Line lock	
Frequency	H : 15.734KHz / V : 59.94Hz	H : 15.625KHz / V : 50Hz
Horizontal Resolution	Color : 600TV lines, B/W : 700TV lines	
Min. Illumination	Color : 0.15Lux@F1.2 (50IRE), 0.0003Lux (Sens-up, 512x) B/W : 0Lux (IR LED On)	
S / N Ratio	52dB (AGC off, Weight on)	
Video Output	CVBS : 1.0Vpp / 75Ω composite	
<b>LENS</b>		
Focal Length (Zoom Ratio)	2.8 ~ 10mm (3.6x) varifocal	
Max. Aperture Ratio	1 : 1.2(Wide) ~ 2.8(Tele)	
Angular Field of View	H : 94.4°(Wide) ~ 28°(Tele) / V : 69.2°(Wide) ~ 21°(Tele)	
Min. Object Distance	0.2m (0.66ft)	
Focus Control	Manual	
Lens Type	DC auto iris	
<b>OPERATIONAL</b>		
On Screen Display	English, Japanese, Spanish, French, Portuguese, Taiwanese, Korean	English, French, German, Spanish, Italian, Chinese, Russian, Polish, Czech, Romanian, Serbian, Swedish, Danish, Turkish, Portuguese
Camera Title	Off / On (Displayed 15 characters)	
Day & Night	Auto (ICR) / Color / B/W	
Backlight Compensation	Off / BLC / HLC	
Contrast Enhancement	SSDR (Off / On)	
Digital Noise Reduction	SSNRIII (Off / On)	
Digital Image Stabilization	Off / On	
Motion Detection	Off / On (8 programmable zones)	
Privacy Masking	Off / On (12 programmable zones)	
Sens-up (Frame Integration)	2x ~ 512x	
Gain Control	Off / Low / High	
White Balance	ATW / Outdoor / Indoor / Manual / AWC (1,700°K ~ 11,000°K)	
Electronic Shutter Speed	1/60 ~ 1/120,000sec	1/50 ~ 1/120,000sec
Digital Zoom	Off / On (1x ~ 16x)	
Reverse	H-Rev / V-Rev	
Communication	Coaxial control (SPC-300 compatible), RS-485	
Protocol	Coax : Pelco-C (Coaxitron) RS-485 : Samsung-T/E, Pelco-D/P, Panasonic, Bosch, Honeywell, Vicon	
IR Distance	50m (164.04ft) (850nm IR LED : 32ea)	
<b>ENVIRONMENTAL</b>		
Operating Temperature / Humidity	-10°C ~ +55°C (+14°F ~ +131°F) / Less than 90% RH	
Ingress Protection	IP66	
<b>ELECTRICAL</b>		
Input Voltage / Current	Dual (24V AC & 12V DC ±10%)	
Power Consumption	Max. 6.8W / 6.5W (IR LED on)	
<b>MECHANICAL</b>		
Color / Material	Dark gray / ALDC	
Dimensions (WxHxD)	86.0 x 86.3 x 314.8mm (3.39" x 3.40" x 12.39")	
Weight	1Kg (2.2 lb)	

\* The latest product information / specification can be found at [www.samsungsecurity.com](http://www.samsungsecurity.com)